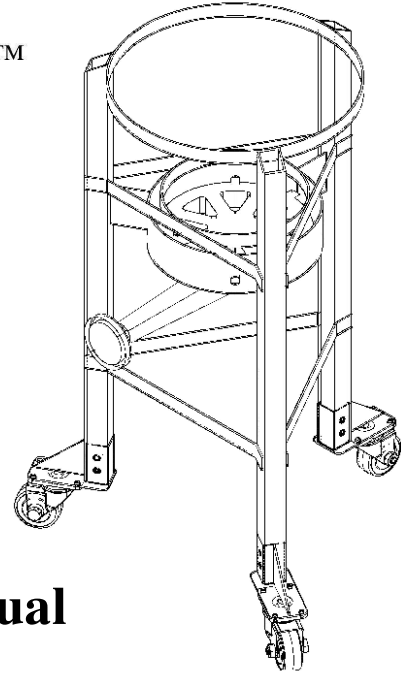




# **KegLegs™**

*Stands for brewing  
and  
fermenting vessels*



## **Instructions And Use and Care Manual**

**Model / Serial No.** \_\_\_\_\_

### **WARNING**

**THE INSTRUCTION MANUAL CONTAINS IMPORTANT INFORMATION NECESSARY FOR THE PROPER AND SAFE USE OF THE APPLIANCE.  
READ AND FOLLOW ALL WARNINGS AND INSTRUCTIONS BEFORE USING THE APPLIANCE.  
FOLLOW ALL WARNINGS AND INSTRUCTIONS WHEN USING THE APPLIANCE.  
KEEP THIS MANUAL FOR FUTURE REFERENCE.**

**NohrCo, Mfg.**  
P.O. Box 1252  
La Crosse, WI 54602-1252

*Questions and Information*  
608-782-7020  
info@nohrco.com  
www.nohrco.com

### **WARNING**

**FAILURE TO FOLLOW THESE INSTRUCTIONS  
AND WARNINGS COULD RESULT IN FIRE, EXPLOSION OR BURN HAZARD  
WHICH COULD CAUSE PROPERTY DAMAGE, PERSONAL INJURY OR DEATH.**



**If you smell gas:**

- 1. Shut off gas to the appliance.**
- 2. Extinguish any open flame.**
- 3. If odor continues, keep away from the appliance and immediately call your Fire Department.**

**FAILURE TO FOLLOW THESE INSTRUCTIONS COULD RESULT IN FIRE OR EXPLOSION WHICH COULD CAUSE PROPERTY DAMAGE, PERSONAL INJURY OR DEATH.**



- 1. Never operate this appliance unattended.**
- 2. Never operate this appliance within 10 feet or 3.05 m of any other gas cylinder while using the burner attachment.**
- 3. Never operate this appliance within 25 feet or 7.5 m of any flammable liquids while using the burner attachment.**
- 4. Do not fill cooking vessel beyond maximum fill line.**
- 5. When cooking with oil/grease, never allow the oil/grease to get hotter than 350°F (177°C). If the temperature exceeds 350°F (177°C) or if oil begins to smoke, immediately turn the burner or gas supply OFF.**
- 6. Heated liquids remain at scalding temperatures long after the cooking process. Never touch cooking appliance until liquids have cooled to 100°F or 38°C or less.**
- 7. If a fire should occur, keep away from the appliance and immediately call your Fire Department. Do not attempt to extinguish an oil/grease fire with water.**

**FAILURE TO FOLLOW THESE INSTRUCTIONS COULD RESULT IN FIRE OR EXPLOSION WHICH COULD CAUSE PROPERTY DAMAGE, PERSONAL INJURY OR DEATH.**



## **WARNING**

### **READ AND UNDERSTAND BEFORE USING THIS PRODUCT**

- 1) This is an ATTENDED appliance. Do NOT leave this appliance unattended while using the burner attachment or when hot after use [liquid above 100° F (38°C)]. Heated liquid can remain at scalding temperatures long after cooking has ended.**
- 2) Keep children and pets away from the appliance at all times.**
- 3) The use of alcohol, prescription or non-prescription drugs may impair your ability to properly assemble or safely operate this appliance. Do NOT assemble or operate this appliance if using alcohol, prescription or nonprescription drugs.**
- 4) With burner attachment in use, this appliance is for OUTDOOR use only. Do NOT use in a building, garage or any other enclosed area. Do NOT use in or on a recreational vehicle or boat. NEVER use this appliance as a heater.**
- 5) With burner attachment in use, do not locate this appliance under ANY overhead construction. Keep a minimum clearance of 10 feet from the sides, front and back of the appliance to ANY construction. Keep the area clear of any combustible material with burner in use.**
- 6) When using the burner attachment, KegLegs must be on a level, stable noncombustible surface in an area clear of combustible material. An asphalt surface (blacktop) may not be acceptable for this purpose.**
- 7) Keep the fuel supply hose away from any heated surfaces.**
- 8) When using the burner attachment, a thermometer MUST be used. Follow instructions supplied with the thermometer for proper installation and use. If thermometer has been lost or damaged, a replacement thermometer shall be obtained before using the appliance.**
- 9) If the temperature exceeds 350°F or 177°C or if liquid begins to smoke, immediately turn the burner or gas supply OFF and wait for the temperature to decrease to less than 350°F or 177°C before relighting burner according to the instructions provided with your burner.**
- 10) When cooking with oil/grease, have a Type BC or ABC fire extinguisher readily available. In the event of an oil/grease fire, do not attempt to extinguish with water. Immediately call the Fire Department. A Type BC or ABC fire extinguisher may, in some circumstances, contain the fire.**
- 11) NEVER overfill the cooking vessel.**

12) Introduction of water or ice from any source into the hot liquid may cause overflow and severe burns from hot liquid splatter.

13) When using burner attachment, never drop ingredients or accessories into hot cooking liquid. Lower additions and accessories slowly into the liquid in order to prevent splashing or overflow. When removing contents from the appliance, care shall be taken to avoid burns from hot liquids.

14) When using burner attachment, this appliance and connected equipment, gets dangerously hot in use. Use well-insulated pot holders or oven mitts for protection from hot surfaces or splatter from cooking liquids. Safety goggles are also recommended to protect you from splatter. The liquid remains dangerously hot hours after use.

15) Do NOT place an empty cooking vessel on the appliance while burner is in operation. Use caution when placing anything in the cooking vessel while the appliance is in operation. Never use a cooking vessel larger than the capacity and diameter specified in this manual.

16) In the event of rain, snow, hail, sleet or other forms of precipitation while using the burner attachment, cover the cooking vessel immediately and turn off the appliance burners and gas supply. Do not attempt to move the appliance or cooking vessel.

17) Do NOT move the appliance when burner attachment is in use. Allow the cooking vessel to cool to 100°F or 38°C before moving or storing.

18) Avoid bumping of or impact with the appliance to prevent spillage or splashing of hot cooking liquid.

19) See Use and Care section for LP Gas Cylinder Information. A 20 pound cylinder should be used with this cooker. The LP-gas supply cylinder used must have a protective collar and must be constructed and marked in accordance with the specifications for LP-gas cylinders for the U. S. Department of Transportation (DOT) or the National Standard of Canada, *CAN/CSA-B339, Cylinders, Spheres and Tubes for the Transportation of Dangerous Goods*. Do not store a spare LPgas cylinder under or near this appliance. Never fill the cylinder beyond 80% full. For proper vapor withdrawal, the 20 lb. Cylinder should be used in the proper upright position. Failure to follow these instructions and warnings could result in fire or explosion which could cause property damage, personal injury or death.

20) This appliance is not intended for commercial use.

21) Use all appliances only in accordance with state and local ordinances, or in the absence of local codes, with the National Fuel Gas Code, *ANSIZ223.1/NFPA 54, Storage and Handling of Liquefied Petroleum Gases*, *ANSI/NFPA 58* or *CSA B149.1, Natural Gas and Propane Installation Code*.



**FAILURE TO COMPLY WITH THESE WARNINGS AND INSTRUCTIONS CAN RESULT IN FIRE, EXPLOSION OR BURN HAZARD WHICH COULD CAUSE PROPERTY DAMAGE, PERSONAL INJURY AND DEATH.**

## **READ AND UNDERSTAND ALL INSTRUCTIONS BEFORE USING YOUR NohrCo PRODUCT**

*Congratulations!*

*Nice Legs!*

*Now that you have some KegLegs to show off, let's make sure it's done correctly.*




*We know there will be a certain amount of envy by your friends and on lookers, probably a few "hey, nice legs" here and there and probably lots of questions from those that don't have the genuine article. Be patient with those know-it-alls and take pride in your acquisition, stand tall when using and displaying those KegLegs, this is as cool as it gets. Use them correctly and you should get years, maybe generations, of satisfaction.*

*We'd be real tickled to get a note or picture from you folks showin those legs in action or how enjoyable it was brewing that batch of IPA. So send some stuff to us and we'll be sure it gets posted in the scrapbook on the website and tacked to the wall at the office.*

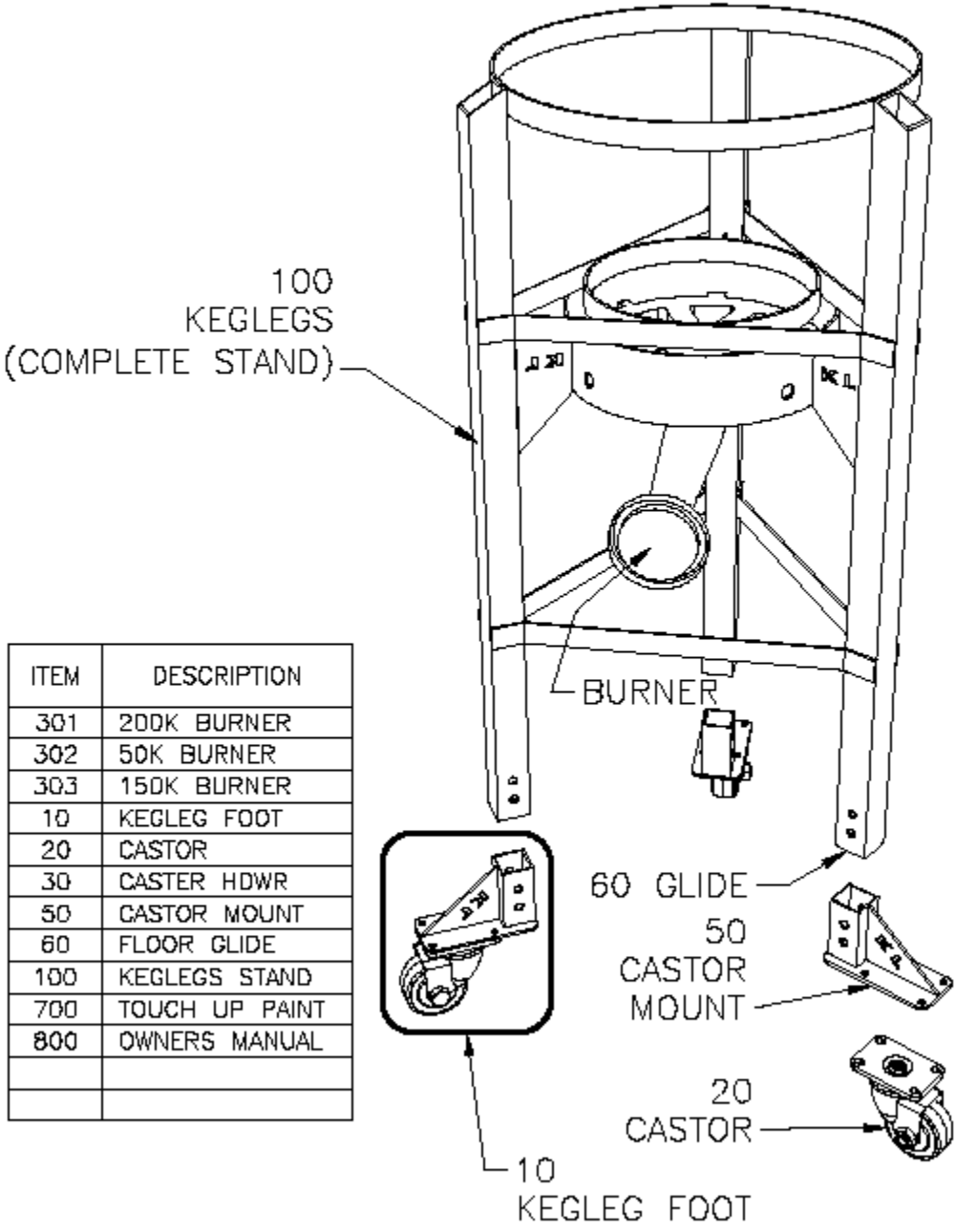
*Let us know the things you like and, well, things you may not like so well, we'll even send something back.*

*NohrCo Mfg  
P.O. Box 1252  
La Crosse, WI 54602  
info@nohrco.com*

*Take care to keep those KegLegs looking clean and shiny so your not caught having to buy a round for neglecting such a high quality piece of equipment.*

-  *Wipe your stand with a damp cloth between get togethers it's okay to scrub if you get sticky or have a boil over, if some how you get through the special thick paint, let us know so we can get those bald spots covered quickly with some touch-up.*
-  *Always disconnect any fuel when your not heating up those legs.*
-  *We know they make a great place to just put stuff on, and even make nice bar stools, but these "can stands" aren't cheap, so use them.*

# Parts and accessories



ITEM	DESCRIPTION
301	20DK BURNER
302	50K BURNER
303	15DK BURNER
10	KEGLEG FOOT
20	CASTOR
30	CASTER HDWR
50	CASTOR MOUNT
60	FLOOR GLIDE
100	KEGLEGS STAND
700	TOUCH UP PAINT
800	OWNERS MANUAL

## WHAT THIS WARRANTY COVERS

This warranty covers all components of this product to be free from defects in materials and workmanship, with the exceptions stated below.

## HOW LONG COVERAGE LASTS

This warranty runs for one year from the date of purchase. Please keep your receipt with this manual for future reference.

## WHAT IS NOT COVERED

This warranty does not cover the following:

***Incidental and Consequential Damages.*** This warranty does **not** cover incidental and consequential damages arising in any way out of the use of this product. The liability of NohrCo, Mfg. is, in any event, limited to the amount of the original purchase price of this product, and remains in force only as long as the product remains in its original, as-built configuration. Some states do not allow the exclusion or limitation of incidental or consequential damages, so the above limitation or exclusion may not apply to you.

***Neglectful Operation.*** This warranty does **not** cover any loss or damage arising in any way due to the negligent operation of this product.

***Altered, Repaired or Misused Equipment.*** This warranty does **not** cover any loss or damage arising in any way out of the use of this product when it has been altered, repaired by persons other than NohrCo, Mfg., or when it has been abused or misused, or when it has been used other than in accordance with the manufacturer's operating instructions, including, without limitation, any damage to the consumer's pots because they were placed on a lit burner while the pot is empty.

***Other Assumed Responsibilities.*** Unless otherwise provided by law, this warranty does **not** cover any responsibility or liability arising in any way out of the use of this product where that responsibility or liability was purportedly assumed by any other person or agent.

***Paint, Discoloration and Rust.*** This warranty does **not** cover the paint on the product, as in a normal use of the product, the paint may be burned off. Nor does this warranty cover discoloration or rust as these occurrences are part of the normal wear and tear of the product.

## WHAT NohrCo, Mfg. WILL DO

NohrCo, Mfg. will repair or replace any product that proves to be defective in materials or workmanship. In the event repair is not possible or economically feasible, NohrCo, Mfg. will replace your product with an identical or substantially equivalent product. NohrCo, Mfg. will perform this service at no charge to you, except for the actual cost of shipping and handling the product or replacement parts.

## HOW TO GET SERVICE

In the event you have a problem or malfunction with your product, simply call NohrCo at (608) 782-7020

## HOW STATE LAW APPLIES

This warranty gives you specific rights, and you may have other rights which vary from state to state.



**NohrCo mfg. U.S.A.** *a division of Automation Design, LLC*

P.O. Box 1252, La Crosse, WI 54602-1252, U.S.A.  
[www.nohrco.com](http://www.nohrco.com)

KegLegs Instructions and Use and Care manual Part No. 800

Printed in U.S.A.